

SMD2493

Embedded PSTN Module

Designed by Bausch Datacom!

V.92 PSTN Modem Module

The SMD2493 module is a modem module that meets global telephone line requirements. Available in a socket (64,5 mm x 26,5mm) size footprint, the device is ideal for embedded modem applications due to its small board space, low power consumption and global compliance. The module allows you to reduce time to market by using a ready to use approved solution.

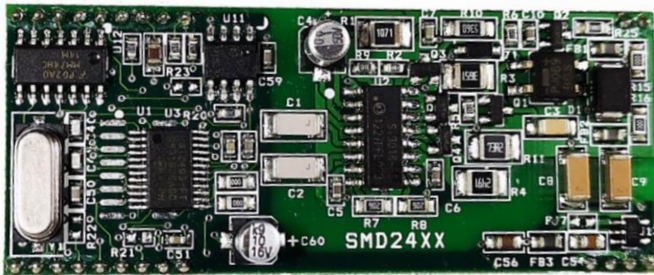
The development of PSTN I-Modules and other embedded modem applications is one of the most Important activities of Bausch Datacom and its engineering company Delta Design and is still continued. The PSTN I-Modules that we design and produce are based, amongst others, on Silicon Labs Technology and Conexant Technology.

Product Highlights

- Socket PSTN modem V.92
- Silicon Labs based
- Embedded applications

Typical Applications

- Security systems
- Point-of-sale verification systems
- Set top boxes
- Industrial /medical monitoring systems
- E-mail Terminals
- ATM Terminals



BAUSCH DATACOM

Bausch Datacom NV/SA Tel.: Int 32(0)16 46 12 88 <http://www.bausch.eu>
Tiensesteenweg 54/56 Fax: Int 32(0)16 46 31 51 <http://www.bauschdatacom.be>
B-3360 Korbeek-Lo Belgium E-mail: info@bausch.be



SMD2493 hardware specifications

The SMD2493 module is a modem module that meets global telephone line requirements. The module allows you to reduce time to market by using a ready to use approved solution.

Form Factor

- PSTN Socketmodem
- Dimensions: 64.5 x 26.5 mm

Power Supply

- 3.3 Vdc 3V3
- Low Power consumption

Engine

- Based on Silicon Laboratories isomodem solution
- Eeprom for custom defaults and firmware upgrade
- Small Footprint

Communication Protocols

- ITU- V.92,V.90,V.34,V.32bis, V.32, V.22bis, V.22,
- V.23, V.21,Bell 212A, 103
- V.23 Reversing
- Fast Connect V.21,V.22,Bell103, V.29
- Error Correction: ITU-V.42
- Data Compression: ITU-V.42bis

Certification

- CE

Interface & Connectors

- Serial asynchrone DTE host interface

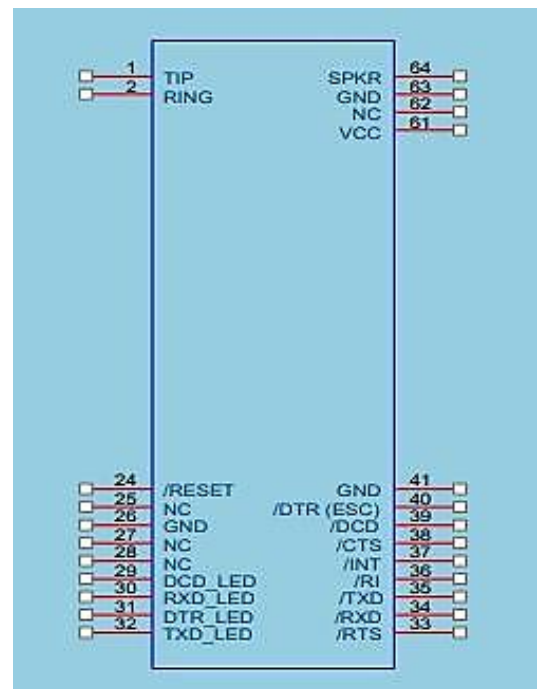
Alarm Protocols

- SIA support
- Contact ID

Functionality

- Incoming call detection
- Caller ID detection and decode
- AT command set
- Call progress with programmable biquad filters
- Integrated DAA
- Globally compliant line interface
- Parallel handset (intrusion) detection
- Overcurrent detection and protection

PIN Layout



BAUSCH DATACOM

Bausch Datacom NV/SA Tel.: Int 32(0)16 46 12 88 <http://www.bausch.eu>
Tiensesteenweg 54/56 Fax: Int 32(0)16 46 31 51 <http://www.bauschdatacom.be>
B-3360 Korbeek-Lo Belgium E-mail: info@bausch.be

