

Annex 3

How to connect & use the back-up battery using the DINBOX M36

Date: 29 juin 2010

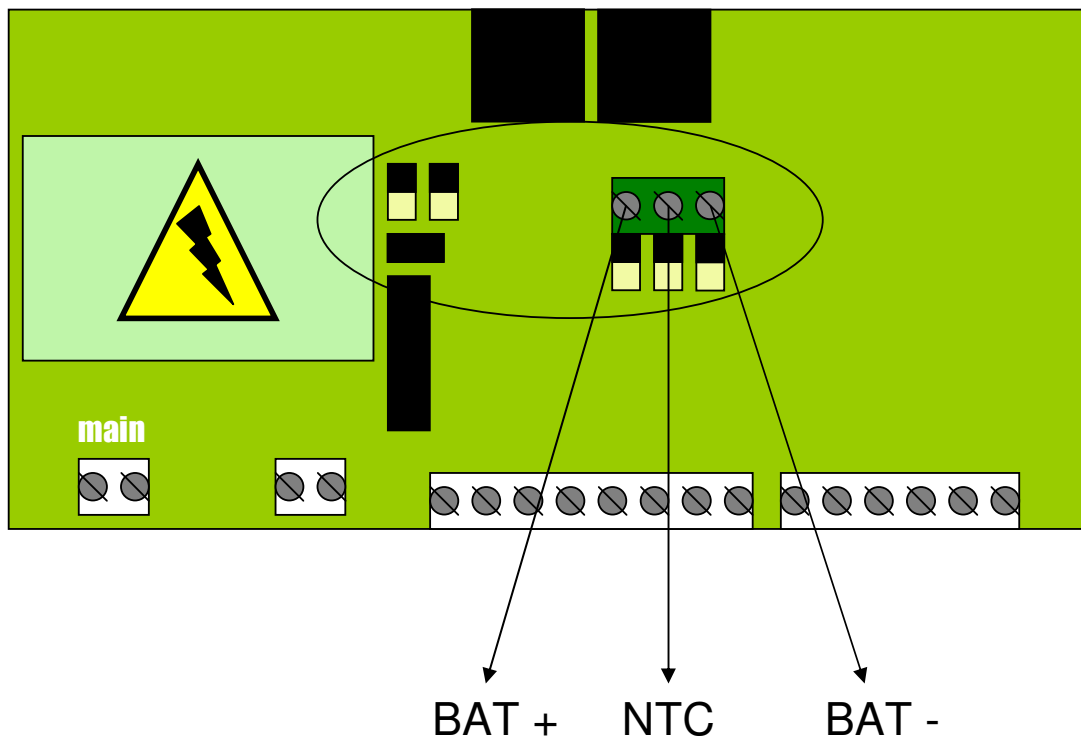
This document describes how to connect & configure the DinBox M36 hardware to use the back-up battery (optional)

When using this battery you should change 5 jumpers. 2 next to the power supply & 3 under the battery connector. All jumpers should be placed **without** mains or power connected.

The figure below give you the correct jumper settings for battery operation applications.

The load processor is included in the TC65i module. Please refer to the TC65 hardware and software reference manual for more information.

Jumper placement for battery operation:



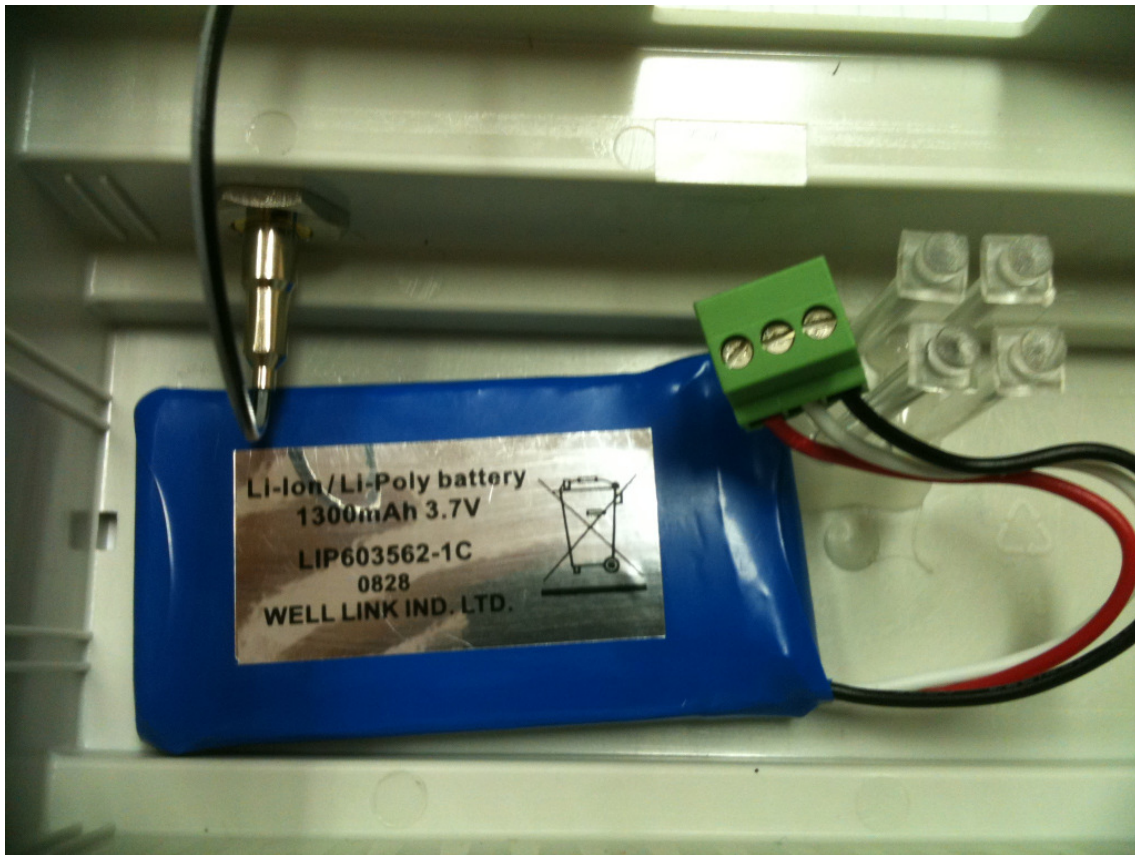
BAT+ is the red wire

NTC Is the white wire

BAT- is the black wire

Fixing the battery:

Remove the tape protection & fix the battery in the upper housing as follows:



Now you can configure the embedded software application. Please refer to the "DinBox M36 Software configuration guide"

Bausch Datacom NV/SA contact information:

BAUSCH DATACOM NV Belgium

Tiensesteenweg 54-56
B- 3360 Korbeek-Lo
Belgium

Phone: Int 32 (0)16 46 12 88

Fax: Int 32 (0)16 46 31 51

Info: info@bausch.be

Sales: sales@bausch.be

Support: support@bausch.be

Website : www.bauschdatacom.be